

EASYGATE HG



EASYGATE HG combines the request for high security level, user's comfort and demands on minimum space. Simple design in combination with stainless steel materials and glass make this type of turnstile to be a unique and attractive component.

Available Versions:

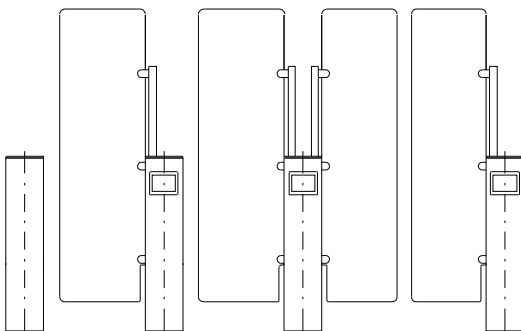
- EASYGATE HG – 1 wing
- EASYGATE HG – 2 wing

Turnstile materials and surface finish:

Base and housing: Brushed stainless steel (AISI 304)

Top Lid*: Marble / corian / coloured glass / wood

Barriers: Glass wing 10 mm, tempered



Dimensions

Cabinet height: 975 mm

Cabinet length: 1450mm

Cabinet width: 210 mm (same cabinet width for standard passage lane and DDA passage lane)

Wing height: from 850 mm to 1800 mm

Passage width:

Max. passage width of 2 wings version: 1100 mm (standard = 650 mm)

Suitable as a DDA Access:

Available on 2 wing versions only

Emergency mode:

Open manually or automatically (with back-up battery*)

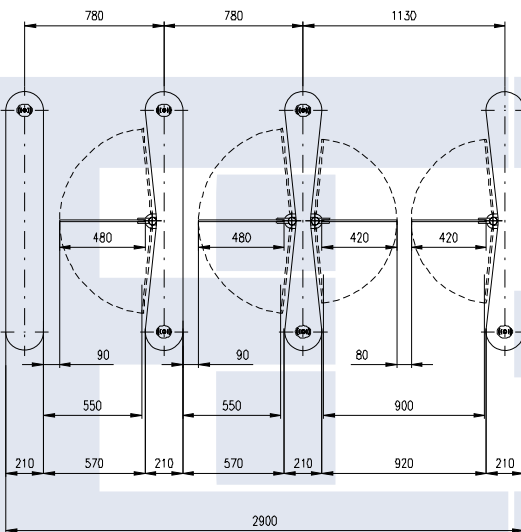
Assembly environment: Indoor

Assembly place:

special mounting consoles* for raised/suspended floor, floor insulation

Tailgating and cross over detection: yes

Climbing over detection: yes - electronic detection



* Offered as an option, for more details contact COMINFO Inc.

Brake Control Function

(intensity of breaking in basic position)

Default setting:

Locked by the brake with the maximum brake force.

Example: Wing of **EASYGATE HG** pushed at a distance of 350 mm with the following software settings:

- Max intensity the brake is active
- High intensity 60 N
- Middle intensity 40 N
- Low intensity 20 N

Safety Elements:

Optical sensors control the passing people through the turnstile corridor. They detect an unauthorised passage (tailgating-two persons in tandem) and protect against injury. Control electronics enables the configuration of security level against unauthorised passage.

Throughput:

up to 60 persons/min (subject to scanning/respond time of access control system)

Sensors of EASYGATE HG: both versions (1 wing and 2 wing version) are equipped by 36 pairs of optical sensors

Power failure:

In the event of power failure the turnstile can be configured in several modes:

- Glass wings stay in a closed position but it is possible to open them by hand
- Glass wings are opened automatically (back-up accumulator required)
- Glass wings can be opened automatically by superior security system

Fire Alarm

A generated and received signal from a fire alarm system to the emergency input of the turnstile control electronics, ensures a prompt opening of glass wings without reference to the existing state of turnstile. For this purpose either N/C or N/O voltage-free contact can be used.

Weight (for the width of passage 900mm)

EASYGATE HG middle cabinet without glass wing: Approx. 130kg

EASYGATE HG side cabinet without glass wing: Approx. 125kg

Range of operating temperature:

10° to +50°C

-25° to +50°C with heating module

Maximum humidity: 80% (for non-aggressive environment)

Communication interface: RS 485 / USB / Ethernet

Drive unit:

FAIL-SAFE MOTOR (without power, the wings simply push open)

Optional Features*

Access Light (with integrated proximity reader bracket)

Traffic Light Direction

Integrated proximity reader bracket

Integrated visitor card collector

Integrated lift controller

Remote control

- Touch Panel
- TMON software application to control via PC
- Ramp for drill/cut free installation



* Offered as an option, for more details contact COMINFO Inc.

Specifications are subject to change without prior notice.